

LVDT bracketry



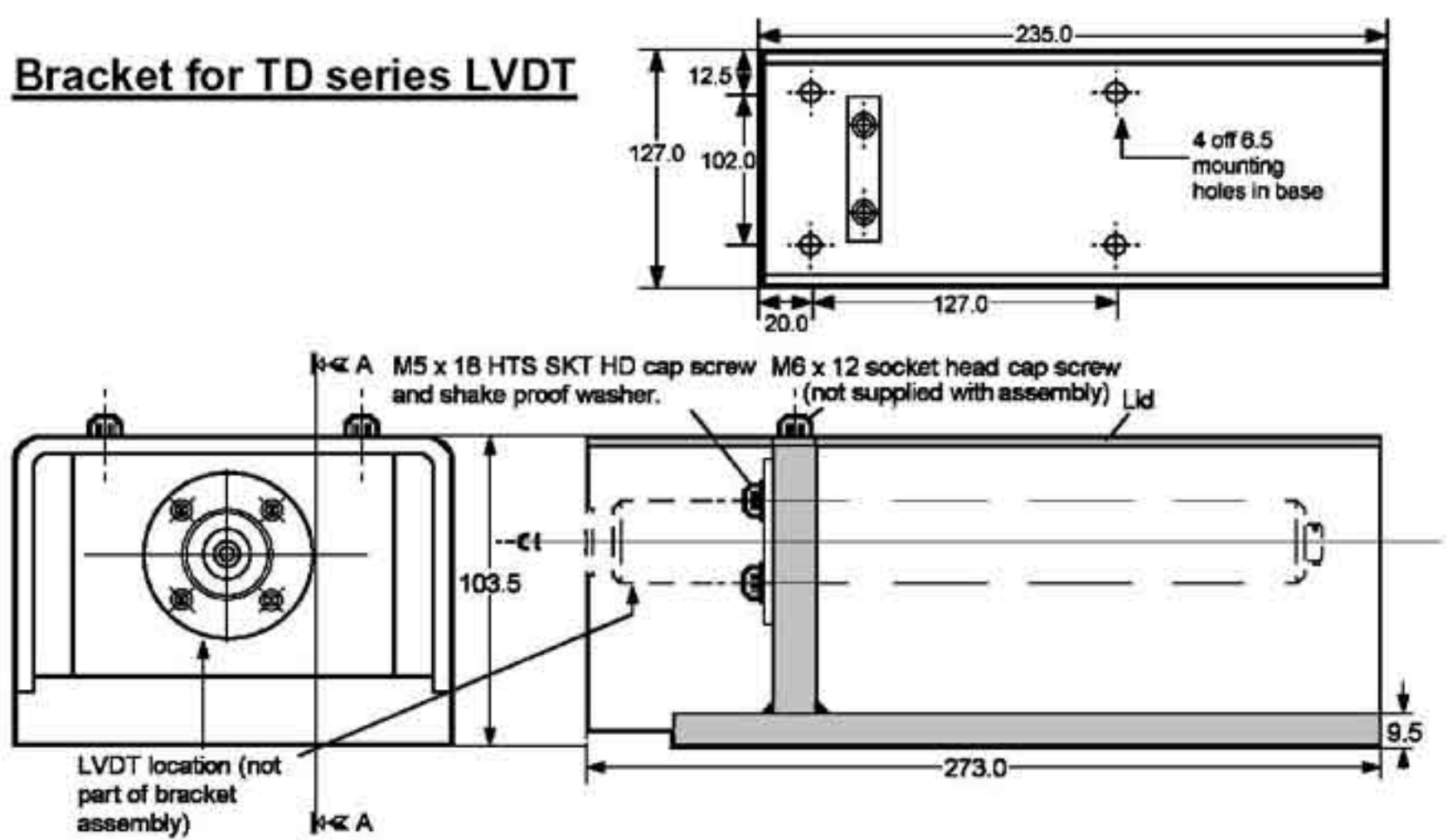
- Standard or custom built
- Robust and Rigid construction
- Available for all Sonsonics LVDTs
- Ensures correct transducer operation.

Sonsonics manufacture a wide range of bracketry for all types of transducers in the product range:

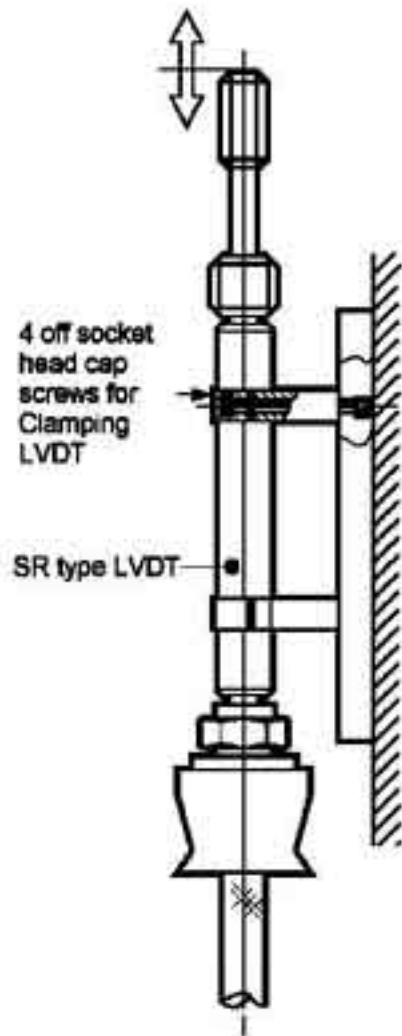
The Sonsonics brackets have been designed to meet the following criteria:

- a) It holds the transducer rigidly and in the correct orientation.
- b) It ensures the operation of the transducer is not impeded and also that bracket vibration does not give error signals to the transducer.
- c) Provides mechanical protection to the transducer itself and the electrical connections to and from the transducer.
- d) It is suitably constructed not to corrode or deteriorate under normal operational conditions.
- e) Is itself robust enough to resist mechanical damage under normal operation. Sonsonics have been installing or involved in installing transducers for over twenty years and have a library of standard and non-standard bracketry for all their transducers. If no bracketry exists to meet the particular application, a Sonsonics representative will be pleased to measure up the location to ensure the correct bracketry is designed and built to the highest mechanical engineering standards.

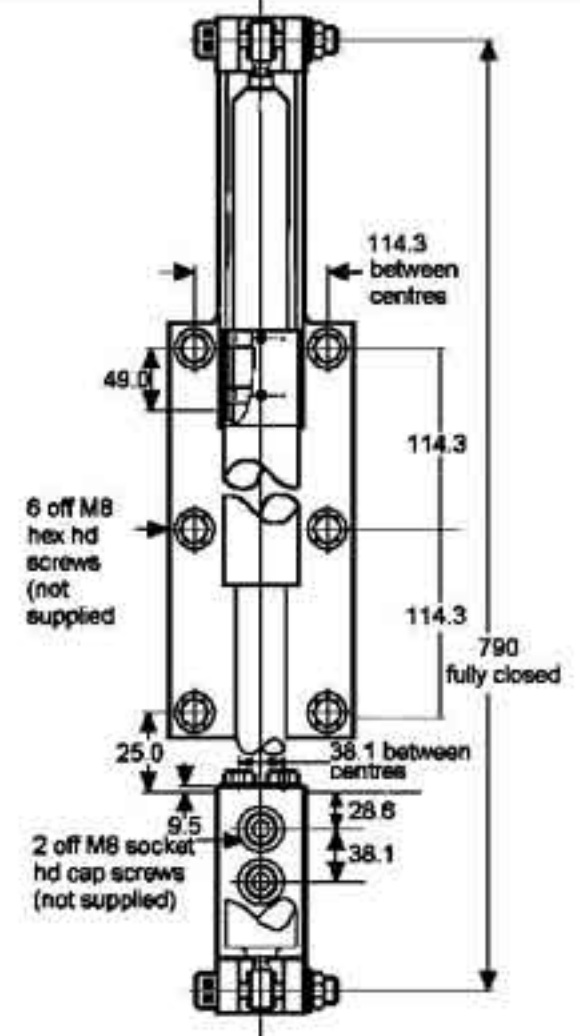
Bracket for TD series LVDT



Bracket for SR/DR/SB Series



Bracket for HI/SHI series LVDT



DS1195-1



Sensonics Ltd,
 Berkhamsted,
 Hert's, HP4 1EF,
 England
 Tel: +44(0) 1442 876 833.
 Fax: +44(0) 1442 876 477.