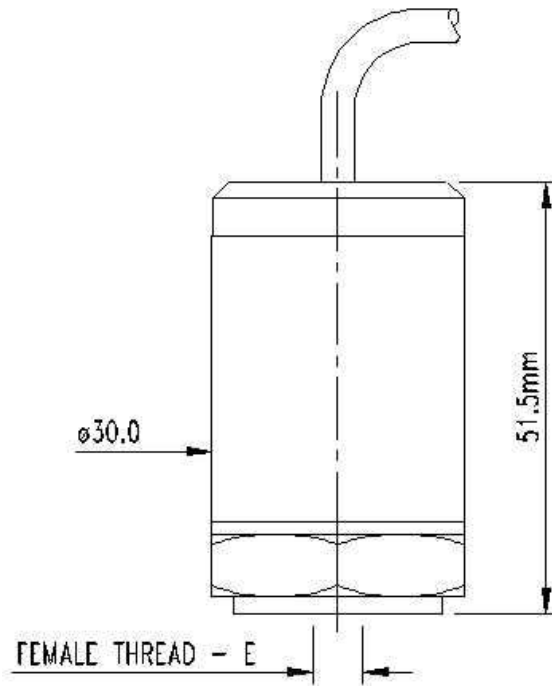




PZDC VELOCITY TRANSDUCER



The PZDC vibration sensor is a compact well protected industrial accelerometer, giving a process output of 4-20mA proportional to various vibration ranges in terms of velocity RMS.

The PZDC is intended for use as a direct input of vibration levels into many different kinds of control and data acquisition systems, however it can be used with a trip amplifier or suitable display as a stand alone unit.

The outer case is constructed from the stainless steel, hermetically sealed and electrically isolated from the signal connectors which are made by top exit cable or 2 pin connector.

The transducer is mounted by means of a single threaded hole in the base of the cylindrical body, this accepts a mounting stud which can be supplied by Sensonics.

PZDC VELOCITY TRANSDUCER

SPECIFICATION

Operating Voltage	16 to 32 volts DC.
Output signal	4-20mA proportional to output ranges
Frequency Range	10Hz to 1kHz (1dB), 2.5Hz to 10kHz (3dB)
Transverse sensitivity	Less than 5%
Temperature sensitivity	0.05% per °C
Residual electrical noise	Less than 0.2mg (2.5Hz to 10kHz)
Signal transmission	Two-wire system, electrically isolated from body up to 500Vac, For F connector variants, contact Sensonics for details
Weight.....	225 gms (nominal)
Certification ATEX	CE Ex II 1G (EEx ia IIC T4) Tamb = 80°C

Environmental

Acceleration limit: Vibration	200g pk at 120Hz for 10 mins
Temperature: Operation	-30°C to +120°C (IP68 version -30°C to +80°C)
Survival.....	-55°C to +150°C
	NB. Certain types of connector or cable may limit the temperature performance of the transducer, see IS. Sheet for details.
Protection (BS.EN60529)	Sealed to IP.66 / IP.67 (also IP68 version available)

ORDERING INFORMATION

PZDC -

A	B	C	D	E	F
5					

A Electrical Configuration

- 2 wire ICP 4-20mA loop power

B Connection Method

Integral Cable (80°C) Unarmoured

Integral Cable (80°C) Armoured

Integral Cable (140°C) Unarmoured

Integral Cable (140°C) Armoured

Integral Cable/Waterproof Gland (80°C)
Unarmoured (IP68 Option)

C Cable length (Specify in whole metres)

e.g. = 2 metres (max 25 metres)

D Output Range

0-15 mm/sec

0-20 mm/sec

0-25 mm/sec

0-50 mm/sec

E Mounting Thread (Female)

- M8

- ¼ UNF

F Hazardous Area Approval

- Non Intrinsic

- Intrinsically Safe Option

DS1111 Issue5



Sensonics Ltd,
Berkhamsted,
Herts, HP4 1EF,
England
Tel: +44(0) 1442 876 833.
Fax: +44(0) 1442 876 477.