

QZ/73 SERIES ACCELEROMETER



- UP TO 240°C OPERATION
- 8Hz TO 10KHz
- 100 mV/g OUTPUT
- INTERNALLY ISOLATED
- HEAVY INDUSTRIAL
- FULLY SEALED TRANSDUCER AND CONDUIT
- BASEEFA APPROVAL
- 12 – 15vDC SUPPLY

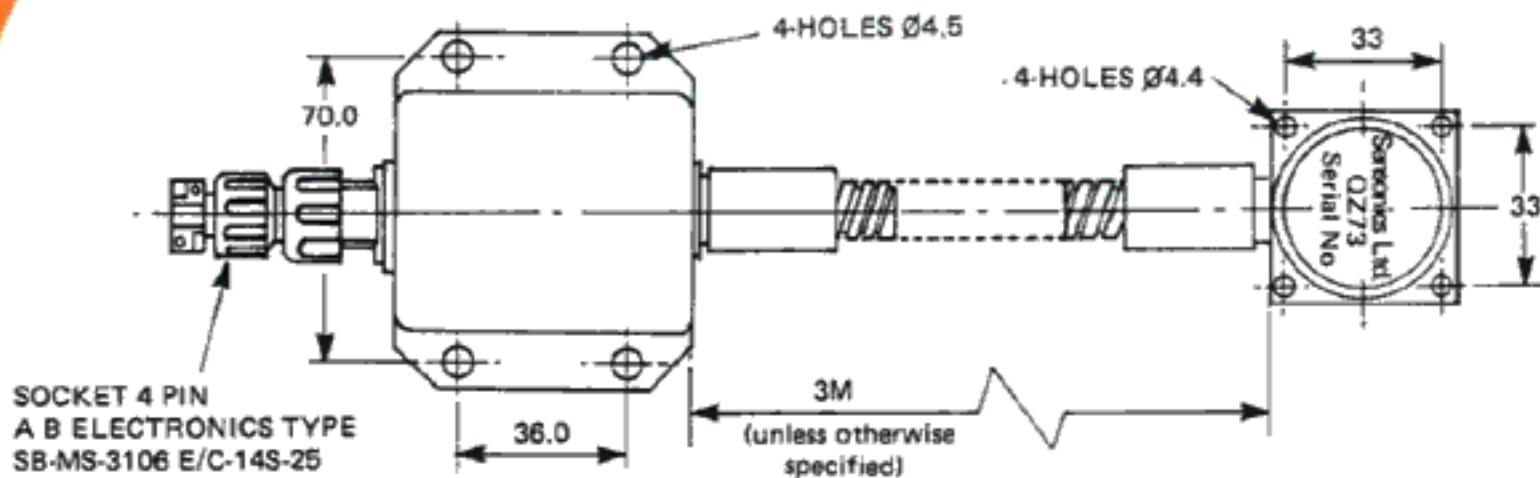
The QZ73 Accelerometer is a piezo-electric device for measuring vibration in severe environments encountered in steam and gas turbines, aircraft engines and electrical generation equipment.

The QZ73 consists of the piezo-electric transducer, a length of sealed stainless steel convoluted flexible conduit and a charge amplifier unit.

The piezo-electric element is completely isolated from the instrument enclosure thus permitting direct mounting to the vibrating body without the need for isolation.

The Accelerometer has Baseefa approval for industrial applications in hazardous areas and meets the requirements of intrinsic safety for Group II (c) gases (hydrogen) when operated via suitable zener barriers in the safe area.

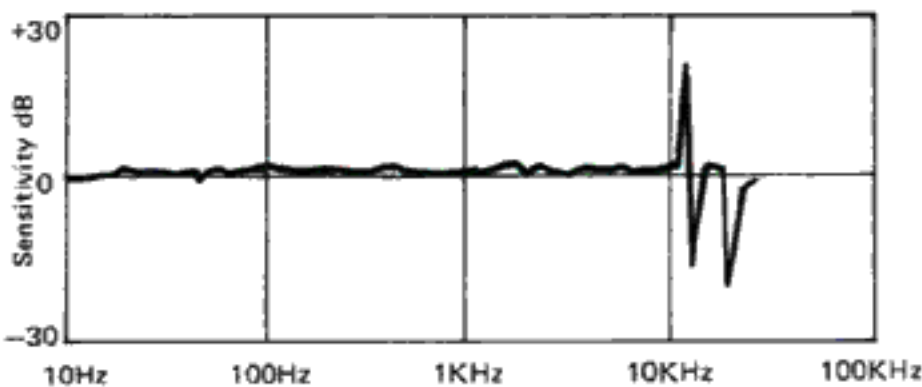
The transducer may be mounted in any attitude, the sensitive axis being coincident with the longitudinal axis of the cylindrical body form.



SPECIFICATION

Accelerometer charge mode	Centre stud compression, output isolated from case
Accelerometer Capacitance	450pF
Output sensitivity	100mV/g $\pm 5\%$ (individual sensitives quoted on calibration certificate)
Amplitude linearity	$\pm 1\%$ (typical)
Input	12 – 15v D.C. regulated
Frequency response	8Hz – 10KHz
Acceleration range	20g
Shock in main axis	1000g max.
Operating temperature range	(i) Accelerometer: -20° to $+240^{\circ}$ C (ii) Signal conditioning module: -20° to $+90^{\circ}$ C
Acceleration case construction	Stainless steel to BS. 970 303S21 or 303S41 Welded, sealed construction
Mounting	(i) Accelerometer: 4 x M4 S.H.C.S. (ii) Signal conditioning module: 4 x M4
Connecting cable	Miniature, screened, co-axial, low-noise P.T.F.E. insulated, running in s/steel flexible conduit
Weight	(i) Accelerometer (less cable) : 140gm (ii) Signal conditioning module : 250gm

TYPICAL FREQUENCY RESPONSE CURVE



Ordering Information:

When ordering please state specific type no. or:
i) Connector or length of integral cable/conduit

We reserve the right to alter the specification without notification

SENSONICS LIMITED



Addison Road, Chesham
Bucks HP5 2BD England
Tel (0494) 774251
Fax (0494) 791094
Telex 83158 (Sonics)
FEB. '91