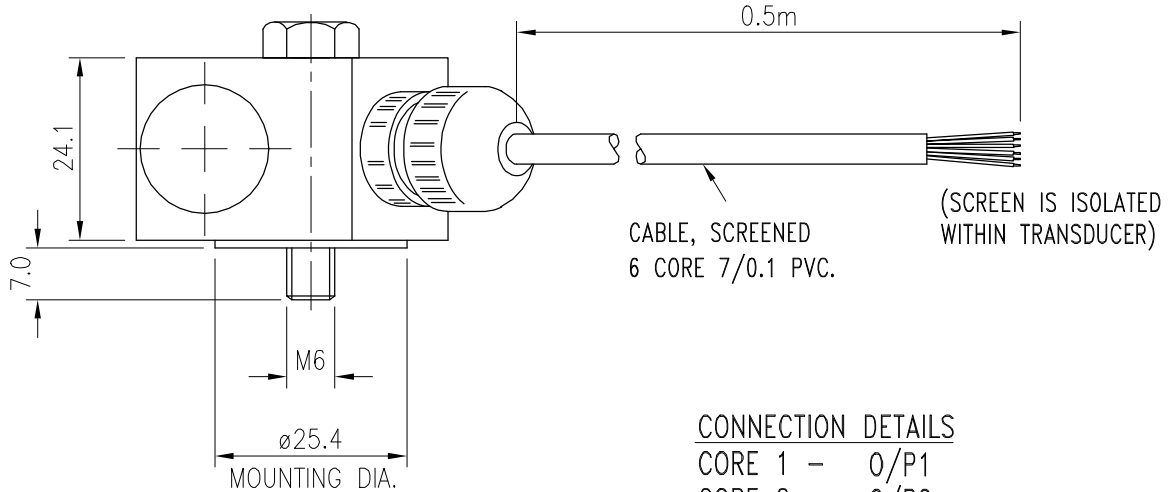
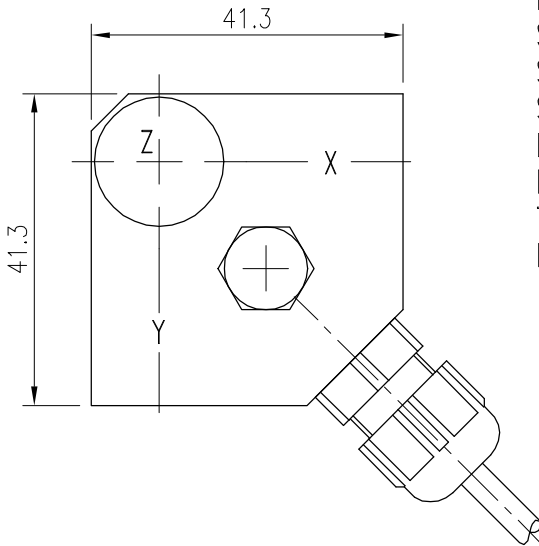


SPECIFICATION

SUPPLY +12Vdc. 20mA max
 BIAS VOLTAGE +6Vdc
 SENSITIVITY X 100mV/g ±10%
 SENSITIVITY Y 100mV/g ±10%
 SENSITIVITY Z 100mV/g ±10%
 FREQUENCY RANGE 2.5Hz to 7KHz, @3dB
 DYNAMIC RANGE 100g PEAK
 TEMP. RANGE -10°C to +80°C
 INGRESS PROTECTION IP.66



CONNECTION DETAILS

- CORE 1 - O/P1
- CORE 2 - O/P2
- CORE 3 - O/P3
- CORE 4 - O/P 0V COM
- CORE 5 - +12Vs
- CORE 6 - 0Vs

ISSUE	
DATE	
CN. No.	
MOD'BY	
CHECKED	

CHANGE NOTES

PROJ.ENG. D.SIPOS	SCALE 1:1
DRAWN A.PITT	DIM'NS mm
CHECKED D.SIPOS	DATE 26.7.2000
CUST.REF.	SHEET No. SHT 1 OF 1

SENSONICS LTD NORTHBRIDGE ROAD, BERKHAMSTED, HERTS, HP4 1EF, ENGLAND
 Tel : +44 (0)1442 876833 Fax : +44 (0)1442 876477

TITLE
 PZYX TRIAXIAL ACCELEROMETER,
 0.5m SIDE EXIT UNARMoured PVC CABLE,
 100mV/g 10% SENSITIVITY. M6 MOUNTING.

THIS DOCUMENT IS SUBJECT TO THE CONDITIONS
 IN THE ENCLOSED MEMO DS 742

DRAWING No.
IS.3042/1 ISSUE
1